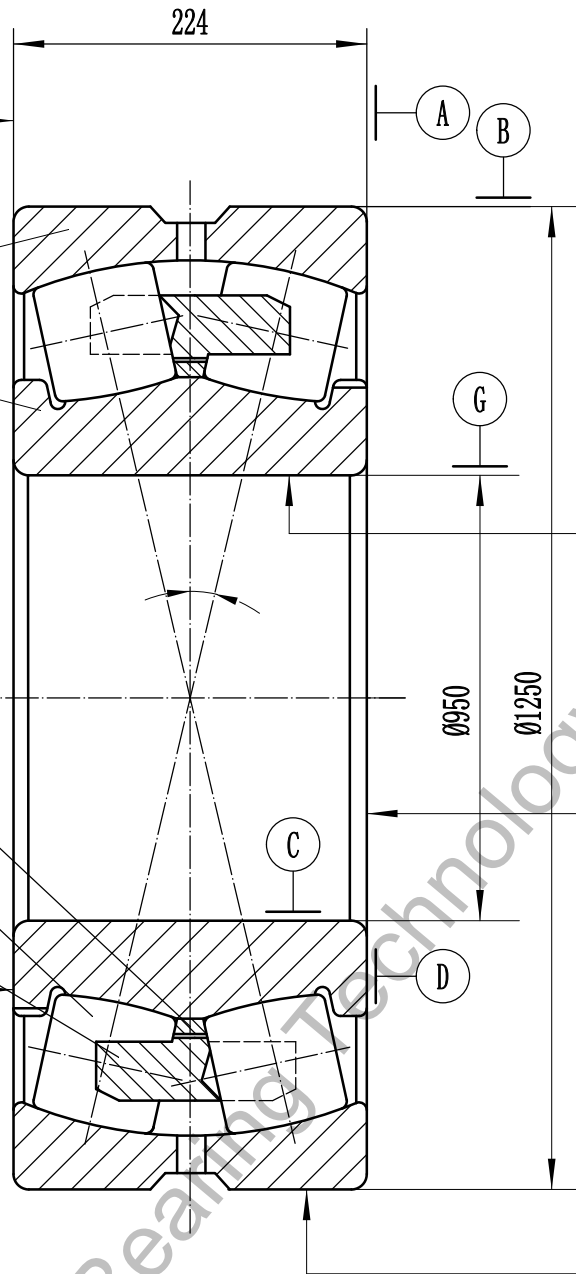




/// V_{Cs} A



⊖ V_{dsp}
 / V_{dmp}
 ↗ K_{ia} B

↗ S_d G

⊖ V_{Dsp}
 / V_{Dmp}
 ↗ K_{ea} C
 ∇ S_D A

/// V_{Bs} D



- 1、Tolerance of running accuracy are according to relevant state standard;
- 2、The value of the basic group of radial clearance:min **** max ****;
- 3、Rated load: Cr= **** kN Cor= **** kN.

| | | | | | |
|----|------------|------------------------------------|--|--|--|
| 62 | Guide ring | Steel 20—GB/T699 | | | |
| 07 | Cage | Brass CuZn39Pb2—EN 1652:1997 | | | |
| 04 | Roller | Steel 100CrMnSi6-4—ISO 683-17:1999 | | | |
| 02 | Inner ring | Steel 100CrMnSi6-4—ISO 683-17:1999 | | | |
| 01 | Outer ring | Steel 100CrMnSi6-4—ISO 683-17:1999 | | | |

| No. | Designation | Qty | Material | unit | total | Remark |
|-----|-------------|-----|----------|-------------|-------|--------|
| | | | | Weight (kg) | | |

| | | | | | | | | | |
|---|-----------------------------------|--|--|---|--|-------------|------------|---|--|
| Luoyang JCB Bearing Technology Co., Ltd Contact information Company Address : No. 285, Fenghua road, Luoyang, Henan, China. Postal code : 471000 Phone :86-379-68611678 Fax : 86-379-68611679 E-mail: sales@jcb-bearing.com Reserved E-mail: sales@sphericalrollerbearing.net Website: www.jcb-bearing.com www.sphericalrollerbearing.net | <h2>Spherical Roller Bearing</h2> | | | <h1>239/950 CA/W33</h1> | | | | | |
| | | | | | | Weight (kg) | Scale | | |
| | | | | S | | | | — | |
| | | | | Total page 5 | | | Page No. 1 | | |
| | | | | Luoyang JCB Bearing Technology Co., Ltd | | | | | |